

## AURA

### Water terminal unit

By water

Reversible hydraulic connections on site

**Capacity from 1,6 to 8,2 kW**



CFFAU  
uncased



CFFAC  
cased

- ✓ Compact and quiet, with an elegant design suitable for any room
- ✓ Cased and uncased installation, vertical and horizontal, bottom and front return
- ✓ Versions for 2-pipe and 4-pipe systems
- ✓ Can be easily managed by external control systems
- ✓ Reversible hydraulic connections on site



Unit listed on  
[www.eurovent-certification.com](http://www.eurovent-certification.com)



compliant  
ErP



## functions and features



Cool & heat



Vertical  
cased



Vertical  
uncased



Horizontal:  
cased



Horizontal:  
uncased

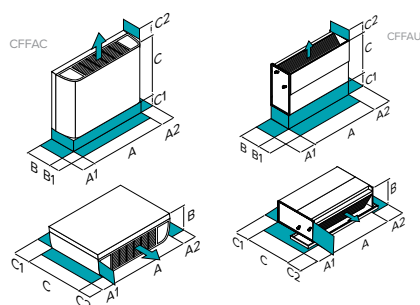


Water



ELFOControl<sup>3</sup>  
EVO

## dimensions and clearances



### CAUTION!

For trouble-free operation of the unit it is essential to maintain the safety distances indicated by the green areas.

Size		CFFA	1	2	3	4	5	6	7	8	9	10	11	12
CFFAC (cased)	DIMENSIONS	A - Length	mm 790	790	1020	1020	1240	1240	1240	1240	1360	1360	1360	1360
		B - Width	mm 200	200	200	200	200	200	200	200	200	200	200	200
		C - Height	mm 495	495	495	495	495	495	495	495	495	495	495	591
	SPAZI	A1	mm 150	150	150	150	150	150	150	150	150	150	150	150
	DI	A2	mm 150	150	150	150	150	150	150	150	150	150	150	150
	INSTALLAZIONE	C1 (R3 only)	mm 90	90	90	90	90	90	90	90	90	90	90	90
CFFAU (uncased)	DIMENSIONS	A - Length	mm 628	628	858	858	1078	1078	1078	1078	1198	1198	1198	1198
		B - Width	mm 200	200	200	200	200	200	200	200	200	200	200	200
		C - Height	mm 455	455	455	455	455	455	455	455	455	455	551	551
	SPAZI	A1	mm 150	150	150	150	150	150	150	150	150	150	150	150
	DI	A2	mm 150	150	150	150	150	150	150	150	150	150	150	150
	INSTALLAZIONE	C1	mm 90	90	90	90	90	90	90	90	90	90	90	90
WEIGHT		C2	mm 150	150	150	150	150	150	150	150	150	150	150	150
		CFFAC CC2 R3	kg 16,3	16,7	20	20,8	24	25,4	25,5	26,3	27,3	28,5	31,7	34
		CFFAC CC4 R3	kg 17,2	-	21,3	-	25,9	-	26,8	-	29	-	34,5	-
		CFFAU CC2 R3	kg 11,6	12	13,9	14,8	17,3	18,2	17,9	18,8	20,5	21,7	24	25,2
	CFFAU CC4 R3	kg 12,5	-	15,3	-	18,7	-	19,3	-	22,2	-	25,7	-	

The above mentioned data are referred to standard units for the constructive configurations indicated. For all the other configurations, refer to the relative Technical Bulletin.

## versions and configurations

### VERSION:

- CFFAC** Cased version for vertical and horizontal installation  
**CFFAU** Uncased version for vertical and horizontal installation

### TYPE OF SYSTEM:

- CC2** 2-pipe (Standard)  
**CC4** 4-pipe

### RETURN:

- R3** Return from the bottom (vertical installation / from the back (horizontal installation) (Standard)  
**RF** Air return from the front (vertical installation) / from the bottom (horizontal installation)

### HYDRAULIC CONNECTIONS

- SX** Pipes connection on the left (Standard)  
**DX** Right side fittings

### BUILT-IN VALVES

- not required (Standard)  
**3V2** 3-way ON/OFF valves for 2-pipe version  
**3V4** 3-way ON/OFF valves for 4-pipe version

### BUILT-IN THERMOSTAT:

- NOHMI** not required (Standard)  
**HMIAM** KJRP-86R control mounted on board

## technical data

Size	CFFA	1**	2	3**	4	5*	6	7*	8**	9*	10**	11*	12**
<b>2 pipe</b>													
<b>High speed</b>													
Air flow rate	m <sup>3</sup> /h	255	255	400	425	595	595	790	800	1190	1150	1300	1300
♦ Cooling capacity	(1) kW	1,65	2,25	2,65	3,05	3,85	4,2	4,65	5,35	6	6,75	7,35	8,25
Sensible capacity	(1) kW	1,25	1,65	2,05	2,23	2,91	3,05	3,58	3,96	4,83	5,09	5,63	6,08
Water flow-rate	(1) l/h	280	390	450	520	660	720	800	920	1030	1160	1260	1410
Water pressur drop	(1) kPa	15,75	33,19	18,03	26,71	38,23	41,15	56,85	61,48	53,79	40,26	45,43	64,72
♦ Heating capacity	(2) kW	1,85	2,35	3,05	3,15	4,1	4,3	5,2	5,7	6,15	7,15	8,2	8,5
Water flow-rate	(2) l/h	320	400	520	540	710	740	890	980	1050	1230	1410	1460
Water pressur drop	(2) kPa	15,13	33,19	17,56	23,31	35,52	37,2	56,68	60,89	57,85	42,16	44,6	61,96
Total power input	W	35	40	47	47	51	51	91	91	123	110	123	118
<b>Medium speed</b>													
Air flow rate	m <sup>3</sup> /h	165	192	273	284	447	450	560	574	855	885	1088	1132
♦ Cooling capacity	(1) kW	1,22	1,85	2,02	2,26	3,19	3,38	3,8	4,25	5,03	5,8	6,51	7,52
Sensible capacity	(1) kW	0,88	1,35	1,5	1,61	2,36	2,43	2,85	3,08	3,99	4,36	4,92	5,53
Water flow-rate	(1) l/h	210	320	350	390	550	580	650	730	860	1000	1120	1290
Water pressur drop	(1) kPa	9,33	22,37	11,18	15,66	27,11	27,07	40,02	41,44	36,96	29,2	37,06	55,03
Heating capacity	(2) kW	1,29	1,87	2,24	2,28	3,3	3,43	3,95	4,36	5,1	5,81	7,09	7,6
Water flow-rate	(2) l/h	220	320	380	390	570	590	680	750	880	1000	1220	1300
Water pressur drop	(2) kPa	8,22	22,37	10,28	12,57	24,83	24,5	37,31	37,73	38,53	28,68	34,09	47,46
Total power input	W	17	24	26	26	32	32	54	54	98	89	109	104
<b>Low speed</b>													
Air flow rate	m <sup>3</sup> /h	142	139	180	184	319	319	392	404	555	591	782	836
♦ Cooling capacity	(1) kW	1,09	1,4	1,4	1,58	2,46	2,48	2,92	3,31	3,71	4,24	5,15	5,87
Sensible capacity	(1) kW	0,78	1	1,02	1,08	1,77	1,73	2,09	2,34	2,85	3,12	3,83	4,21
Water flow-rate	(1) l/h	190	240	240	270	420	430	500	570	640	730	880	1010
Water pressur drop	(1) kPa	7,37	4,64	5,48	8,42	16,96	15,71	25,31	26,62	21,16	16,15	23,29	34,88
♦ Heating capacity	(2) kW	1,13	1,42	1,52	1,6	2,48	2,52	3	3,31	3,8	4,3	5,46	5,9
Water flow-rate	(2) l/h	190	240	260	280	430	430	520	570	650	740	940	1020
Water pressur drop	(2) kPa	6,64	4,64	5,43	6,11	14,91	13,75	23,25	21,79	21,1	14,66	19,98	28,84
Total power input	W	14	15	14	14	19	19	34	35	68	64	83	82
Standard power supply	V/n°/Hz	220-240/1/50											
Type of supply fan	(3)	CFG											
No. of supply fan	-	1	1	2	2	2	2	2	2	3	3	3	3
H Sound pressure level	(4) dB(A)	35	42	34	34	39	40	48	47	50	50	51	50
M Sound pressure level	(4) dB(A)	24	35	24	25	32	35	39	40	43	44	46	45
L Sound pressure level	(4) dB(A)	21	27	18	19	23	31	31	31	33	33	36	37
H Sound power level	(4) dB(A)	47	53	46	47	52	52	59	59	64	62	63	63
M Sound power level	(4) dB(A)	35	47	37	38	44	45	51	51	56	56	58	58
L Sound power level	(4) dB(A)	34	39	31	32	36	37	43	43	45	46	50	50

The Product is compliant with the Erp (Energy Related Products) European Directive. It includes the Commission delegated Regulation (EU) No 2016/2281, also known as Ecodesign Lot21.

Airflow with free outlet (0 Pa static pressure)

(1) Entering exchanger water 7°C (temperature differential 5°C) - Ambient air 27°C D.B. / 19°C W.B.

(2) Entering exchanger water 45°C (temperature differential 5°C) - Ambient air 20°C

(3) CFG = Centrifugal fan

(4) Sound levels tested in anechoic chamber and referring to units for 2-pipe systems. The sound pressure level refers to 1 m from the external surface of the unit operating in the open field

\* Available while stocks last

\*\* RF version available while stocks last

## technical data

Size	CFFA	3*	5*	9*	
<b>4 pipe</b>					
<b>High speed</b>					
Air flow rate		m <sup>3</sup> /h	425	595	1150
♦ Cooling capacity	(1)	kW	2,89	4,09	6,4
Sensible capacity	(1)	kW	2,05	2,94	4,9
Water flow-rate	(1)	l/h	500	700	1100
Water pressur drop	(1)	kPa	21,38	47,7	63,05
♦ Heating capacity	(2)	kW	2,45	2,95	4,65
Water flow-rate	(2)	l/h	210	250	400
Water pressur drop	(2)	kPa	31,95	58,17	135,21
Total power input		W	47	51	110
<b>Medium speed</b>					
Air flow rate		m <sup>3</sup> /h	284	430	885
♦ Cooling capacity	(1)	kW	2,05	3,35	5,59
Sensible capacity	(1)	kW	1,39	2,38	4,25
Water flow-rate	(1)	l/h	350	570	960
Water pressur drop	(1)	kPa	11,95	33,04	48,47
Heating capacity	(2)	kW	1,7	2,5	4,09
Water flow-rate	(2)	l/h	150	210	350
Water pressur drop	(2)	kPa	16,83	43,35	111,75
Total power input		W	26	32	89
<b>Low speed</b>					
Air flow rate		m <sup>3</sup> /h	184	319	591
♦ Cooling capacity	(1)	kW	1,25	2,35	4
Sensible capacity	(1)	kW	0,84	1,6	2,95
Water flow-rate	(1)	l/h	210	400	690
Water pressur drop	(1)	kPa	4,99	18,22	27,23
♦ Heating capacity	(2)	kW	1,19	2	3,19
Water flow-rate	(2)	l/h	100	170	270
Water pressur drop	(2)	kPa	9,52	29,2	70,91
Total power input		W	14	19	64
Standard power supply		V/n <sup>2</sup> /Hz			
Type of supply fan	(3)	-			
No. of supply fan		-	2	2	3
H Sound pressure level	(4)	dB(A)	34	40	50
M Sound pressure level	(4)	dB(A)	25	33	44
L Sound pressure level	(4)	dB(A)	19	24	33
H Sound power level	(4)	dB(A)	47	52	62
M Sound power level	(4)	dB(A)	38	45	56
L Sound power level	(4)	dB(A)	32	37	46

The Product is compliant with the Erp (Energy Related Products) European Directive. It includes the Commission delegated Regulation (EU) No 2016/2281, also known as Ecodesign Lot21.

Airflow with free outlet (0 Pa static pressure)

(1) Entering exchanger water 7°C (temperature differential 5°C) - Ambient air 27°C D.B. / 19°C W.B.

(2) Entering exchanger water 65°C (temperature differential 10°C) - Ambient air 20°C

(3) CFG = Centrifugal fan

(4) Sound levels tested in anechoic chamber and referring to units for 2-pipe systems. The sound pressure level refers to 1 m from the external surface of the unit operating in the open field

\* RF version available while stocks last

## accessories

- 3V2X** Three-way valve kit for 2-pipe type "on/off" system
- 3V4X** Three-way valve kit for 4-pipe type "on/off" system
- BRVHX** Auxiliary condensate collection tray ausiliaria for vertical/horizontal installation
- KPDX** Plinth kit
- DCPRX** Power interface to control 4 Fancoils for 2-4 systems

- HMIFACX** KJRP-86R wired controller for on-board or wall installation
- BOXX** Wall installation with concealed box KJRP-86R
- HIDT19X** Electro-mechanical thermostat for semi-uncased wall installation with display and built-in temperature probe

Accessories whose code ends with "X" are separately supplied.